

ANM10(NF-CW) Series moulded case circuit breaker

Application

The ANM10(NF-CW) series plastic outer covering type circuit breaker (hereafter refers to as circuit breaker), is this company uses the international advanced design, one of the technique of manufacture development, development new circuit breakers Its fixed isolation voltage is 690V, is suitable in exchanges 50Hz, fixed working voltage 400V and below. Rated current to 800A circuit as frequent changeover gum less frequent motor starter. The Circuit breaker with overload, short circuit protection device, and less voltage protection circuit and power equipment are not damaged.

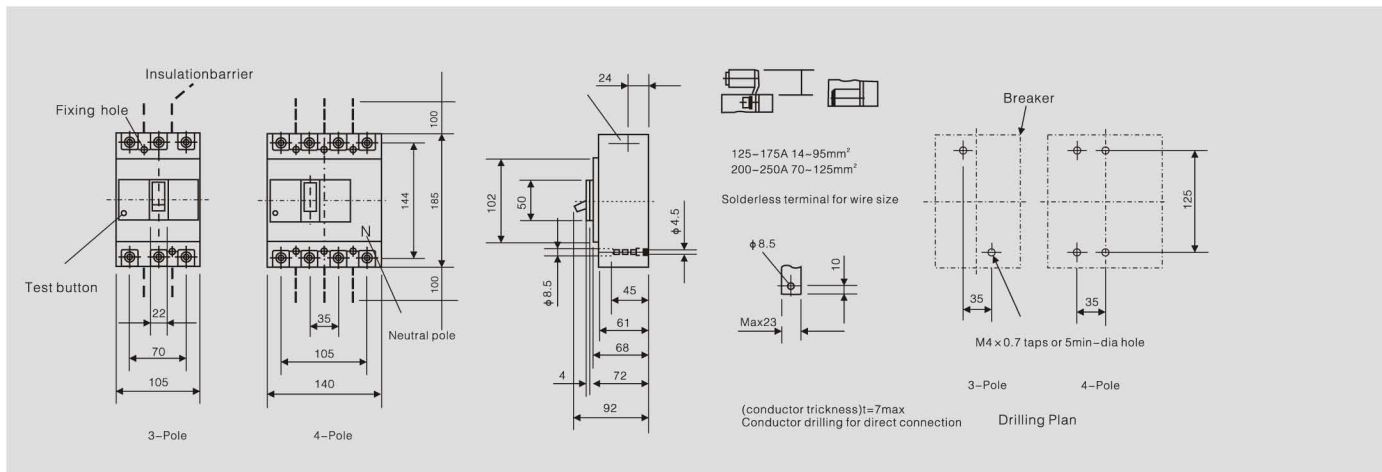


Specification

		NF	63	125	250	400
Type and Pole	2-pole		CW63	CW125	CW250	CW400
	3-pole		CW63	CW125	CW250	CW400
	4-pole		---	---	CW250	
Rated current In	A		3,5(6), 10, 15(16), 20, 25, 30(32), 40, 50, 60(63)	30, 32, 40, 50, 60, 63, 80, 100, 125	100, 125, 140, 150, 160, 175, 180, 200, 225, 250	250, 300, 315, 350, 400
Rated voltage Ue(V)			AC380-690 DC250	AC380-690 DC250	AC380-690 DC250	AC380-690 DC250
Rated insulation voltage Ui(V)			AC690V	AC690V	AC690V	AC690V
Short-circuit Interrupting capacity	AC 690V		--	--	--	--
	AC 500V		2.5/1	7.5/4	10/5	15/8
	AC 440V		2.5/1	10/5	15/8	25/13
	AC 415V		--	--	--	36/18
	AC 400V		5/2	10/5	18/9	36/18
	AC 380V		--	--	--	40/20
	AC 230V		5/2	25/13	30/15	50/25
	DC 250V		2.5/1 --	7.5/4 --	10/5 --	20/10 --
Dimensions (mm)	W×H×D		50(75)×130×68	60(90)×155×68	105(140)×165×68	140×257×103
	Automatic tripping device		Hydraulic-magnetic	Thermal-magnetic	Thermal-magnetic	Hydraulic -magnetic

Overall and mounting dimensions about ANM10(NF-CW)

Front board wiring



Back board wiring

